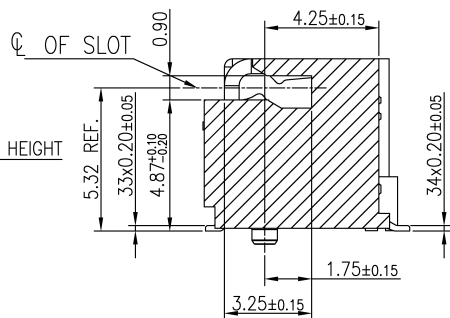
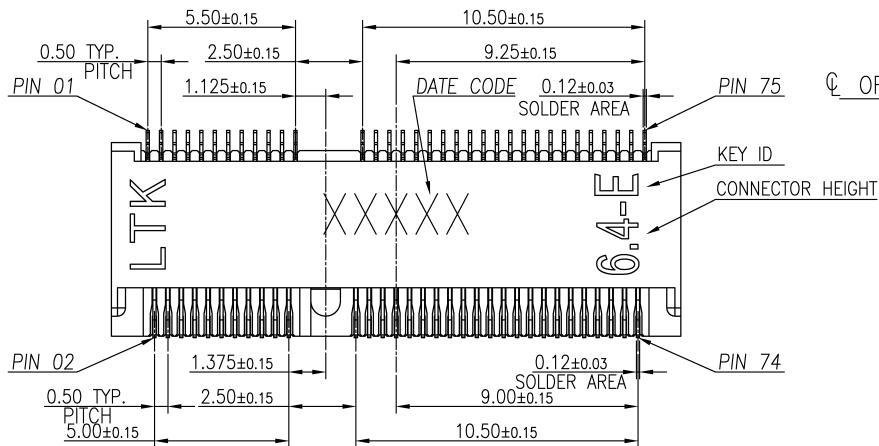


HALOGEN FREE

LEAD FREE

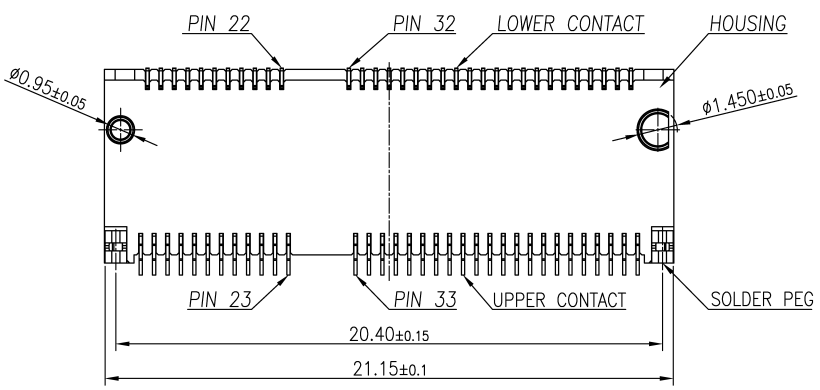
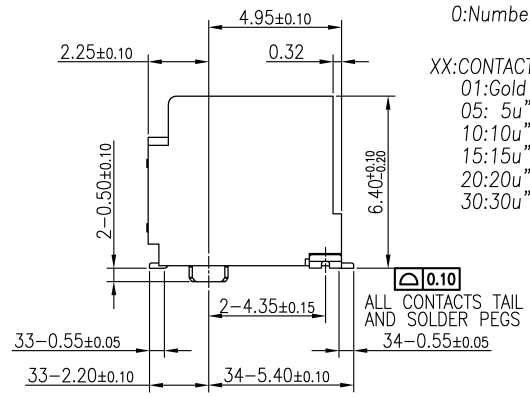
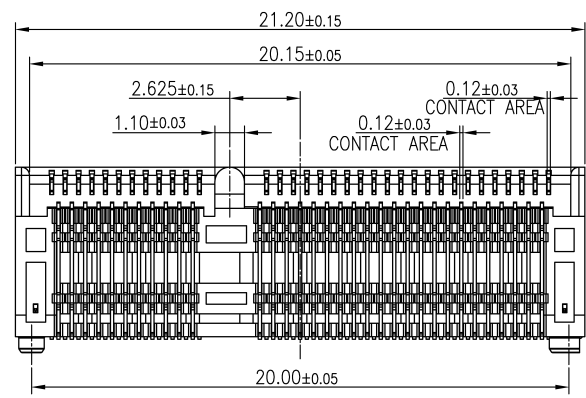


- NOTES:
- MATERIAL:
HOUSING : THERMOPLASTIC, BLACK COLOR,
FLAME RESISTANCE UL94V-0.
CONTACT : COPPER ALLOY.
SOLDER PEGS : COPPER ALLOY.
 - FINISHED:
CONTACTS : GOLD PLATING ON CONTACT AREA.(SEE P/N)
GOLD FLASH ON THE SOLDER AREA.
50u"~150u" NICKEL UNDER PLATING OVER ALL.
SOLDER PEGS : 50u"~150u" MATTE TIN PLATING OVER ALL.
50u"~150u" NICKEL UNDER PLATED OVER ALL.
 - MSL LEVEL:
MSL(MOISTURE SENSITIVITY LEVEL)=1.
 - PART NUMBER:

NXSE0-S67XX-XX64
 F:REEL W:32.0mm
 A:REEL W:44.0mm
 0: Number Zero

XX: CONTACT AREA GOLD PLATING
 01: Gold Flash
 05: 5u"Min.
 10: 10u"Min.
 15: 15u"Min.
 20: 20u"Min.
 30: 30u"Min.

XX: CONNECTOR HEIGHT
 64: 6.40mm
 PACKING
 TP: TAPE REEL(NORMAL DIRECTION)
 TS: TAPE REEL(REVERSE DIRECTION)

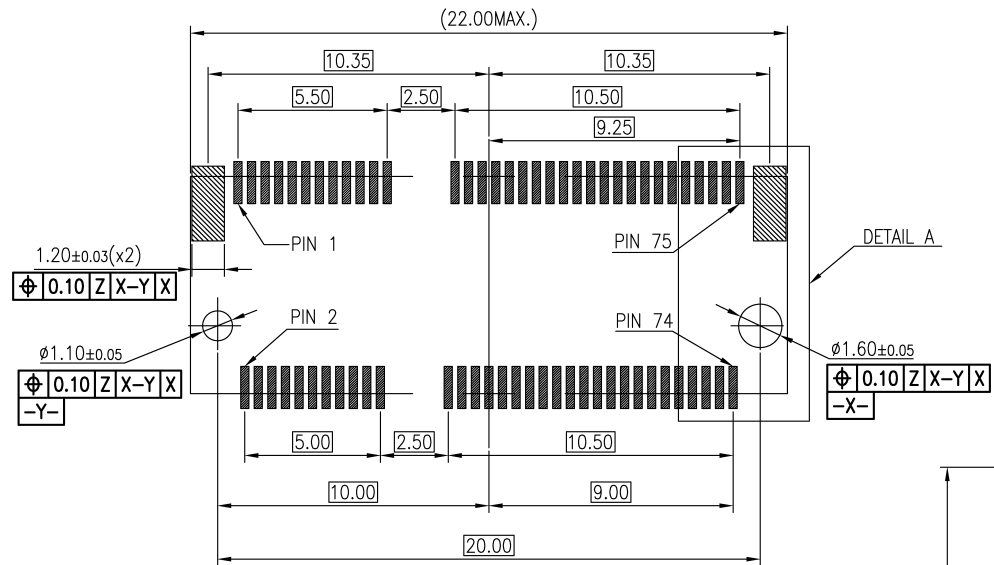


TOLERANCES EXCEPT AS NOTED	
0.0	±0.35
0.00	±0.25
0.000	
ANGLES ±1°	

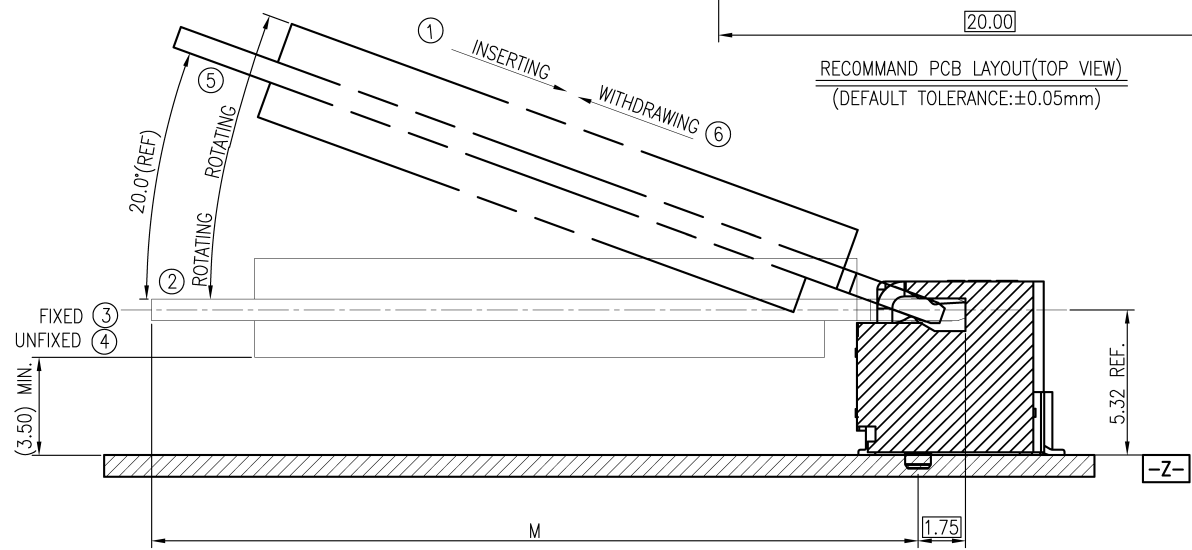
				UNIT	SCALE	DATE	APPROVED	CHECKED	P/N	NXSE0-S67XX-XX64	PAGE	1 / 3
A	NEW RELEASE	2016/07/13		mm	1 : 1	2016/07/13	Kevin	Andy	TITLE	M.2(NGFF) CARD CONNECTOR E KEY 6.4H		
REV	DESCRIPTION	DATE		ALL LINK ELECTRONICS CORP.			DESIGEND	DRAWN	DWG. NO	NXSE0-S67XX-XX64	REV	A
				COMANN A signal connection engineering company			Leon	Michael				

HALOGEN FREE

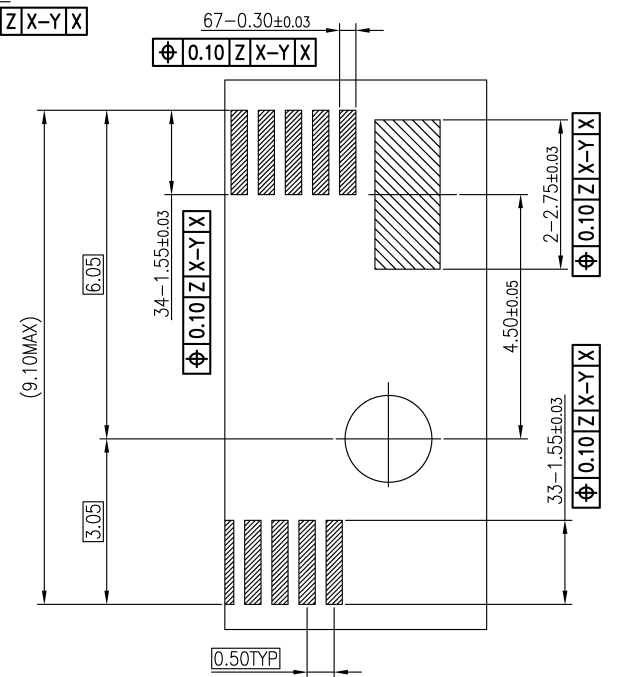
LEAD FREE



RECOMMEND PCB LAYOUT (TOP VIEW)
(DEFAULT TOLERANCE: ±0.05mm)



MODULE SEATING PLANT TO ALIGNMENT POST



DETAIL A
SCALE 2:1

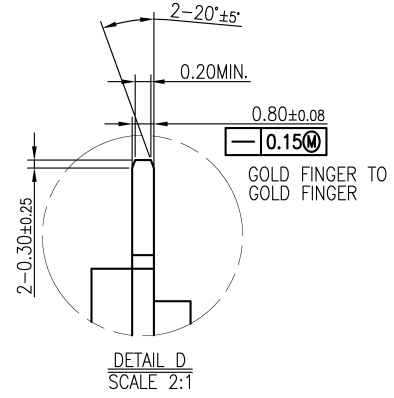
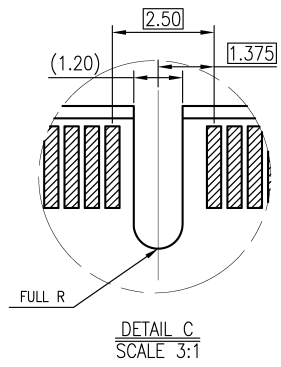
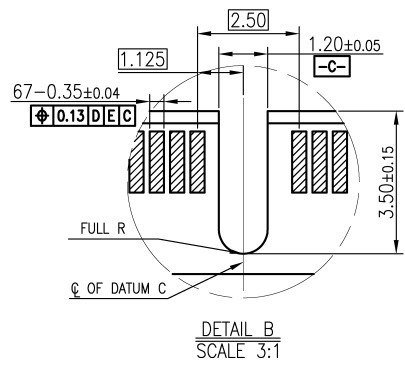
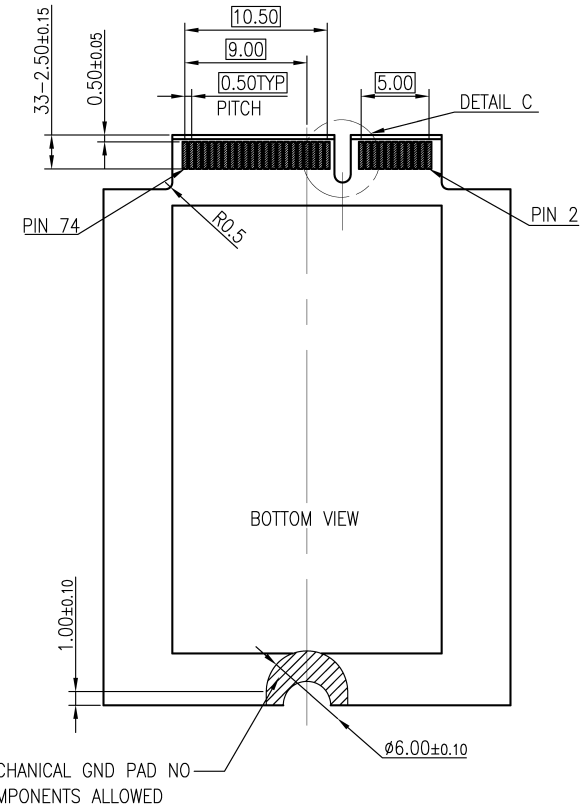
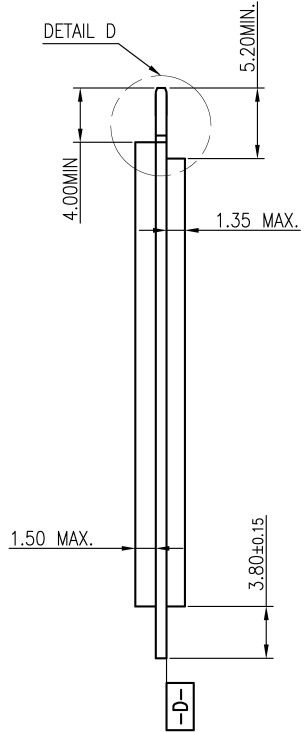
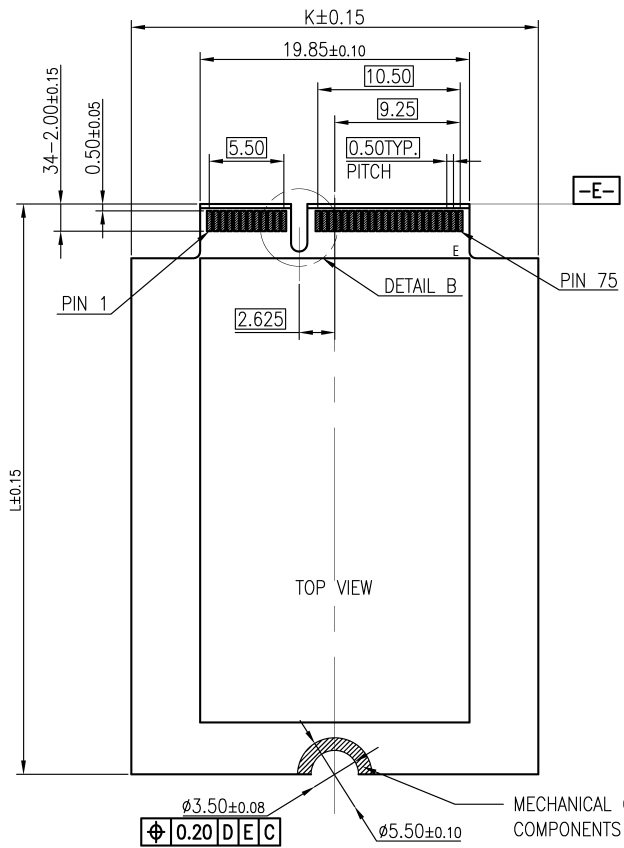
HOW TO MATE AND UNMATE

- MATE: ① INSERTING → ② ROTATING → ③ FIXED
UNMATING: ④ UNFIXED → ⑤ ROTATING → ⑥ WITHDRAWING

TOLERANCES EXCEPT AS NOTED	
0.0	±0.35
0.00	±0.25
0.000	
ANGLES ±1°	

				UNIT	SCALE	DATE	APPROVED	CHECKED	P/N	NXSE0-S67XX-XX64	PAGE	2 / 3
				mm	1 : 1	2016/07/13	Kevin	Andy	TITLE	M.2(NGFF) CARD CONNECTOR E KEY 6.4H		
A	NEW RELEASE	2016/07/13		ALL LINK ELECTRONICS CORP.			DESIGEND	DRAWN	DWG. NO	NXSE0-S67XX-XX64	REV	A
REV	DESCRIPTION	DATE	COMANN	A signal connection engineering company			Leon	Michael				

HALOGEN FREE LEAD FREE

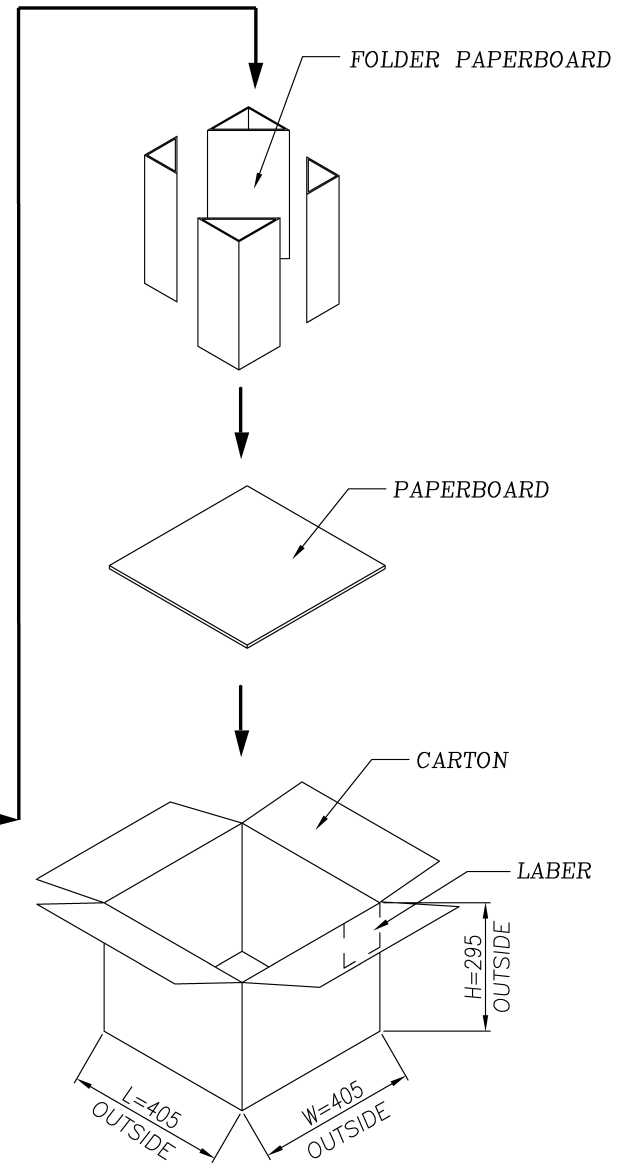
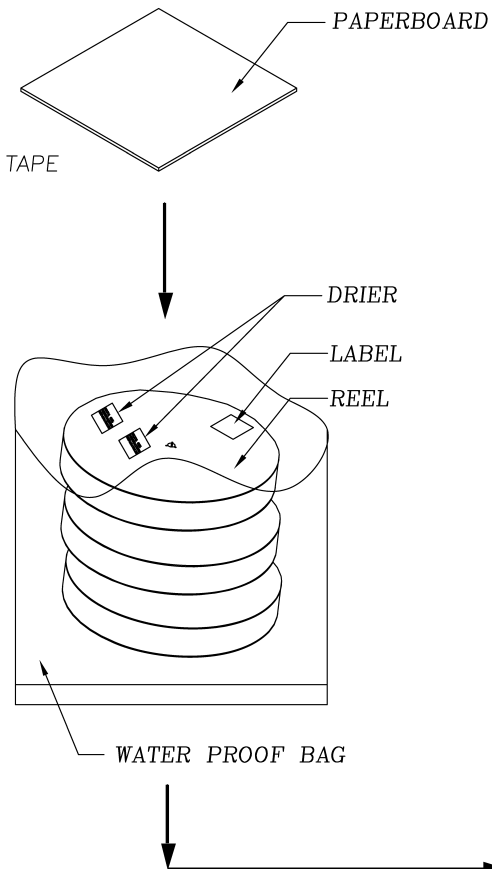
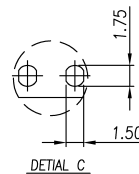
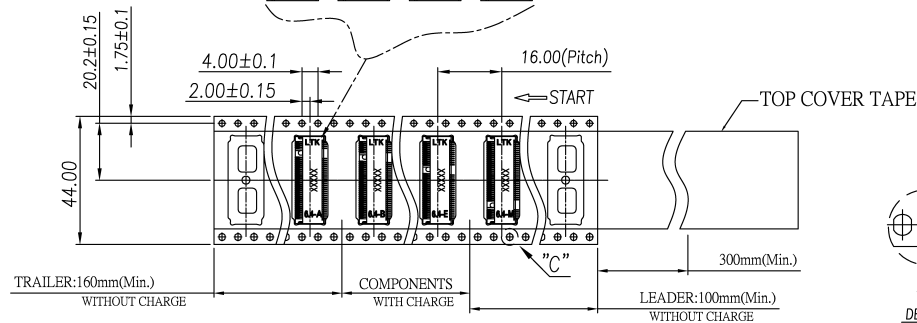
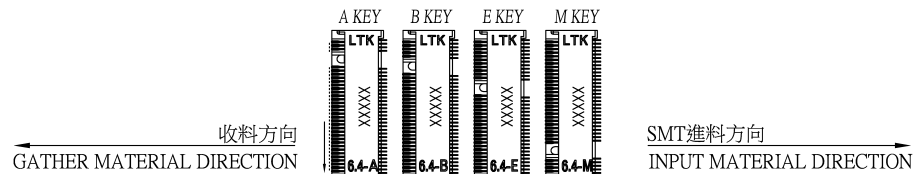
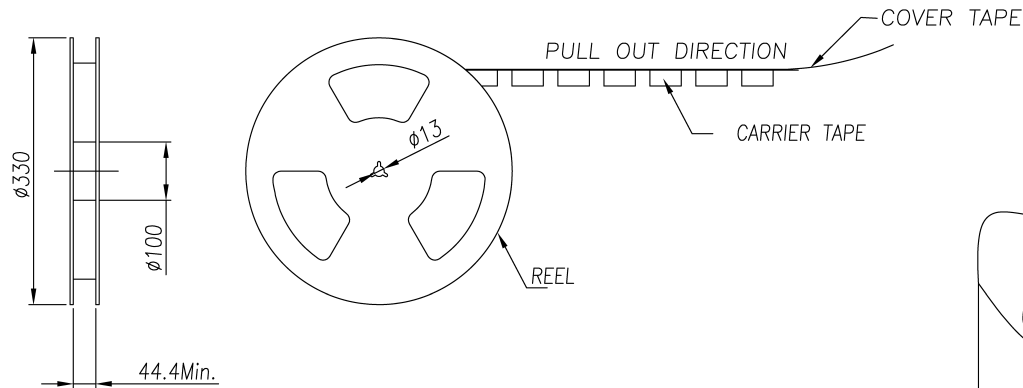


30.00	110.00	108.25	TOLERANCES EXCEPT AS NOTED	
	80.00	78.25	0.0	±0.35
22.00	60.00	58.25	0.00	±0.25
	42.00	40.25	0.000	
	30.00	28.25		
DIM. K	DIM. L	DIM. M	ANGLES ±1°	

				UNIT	SCALE	DATE	APPROVED	CHECKED	P/N	NXSE0-S67XX-XX64	PAGE	3 / 3
				mm	1 : 1	2016/07/13	Kevin	Andy	TITLE	M.2(NGFF) CARD CONNECTOR E KEY 6.4H		
A	NEW RELEASE	2016/07/13		ALL LINK ELECTRONICS CORP.			DESIGEND	DRAWN	DWG. NO.	NXSE0-S67XX-XX64	REV	A
REV	DESCRIPTION	DATE	COMANN	A signal connection engineering company			Leon	Michael				

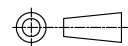
HALOGEN FREE

LEAD FREE



PART NO.	PCS/REEL	REEL/CARTON	PCS/CARTON
NASXX-S67XX-XS64	700	5	3.50K

REV	DESCRIPTION	DATE	UNIT	SCALE	DATE	APPROVED	CHECKED	P/N	TITLE	DWG. NO.	REV	PAGE
A	NEW RELEASE	2016/07/13	mm	1 : 1	2016/07/13	Kevin	Andy	NASXX-S67XX-XS64	PACKING FOR T/P M.2 CONNECTOR FOR 6.4H REEL: 44.0 mm	PK-NASXX-022		1 / 1
						DESIGEND	DRAWN					
						Leon	Michael					



ALL LINK ELECTRONICS CORP.
A signal connection engineering company